



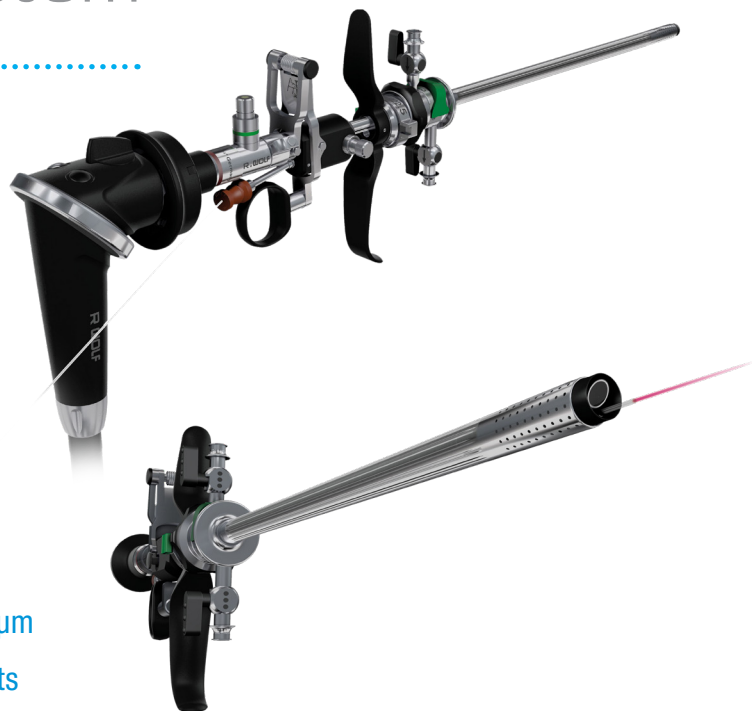
**Case-by-Case**  
**MOBILE SERVICE**

# PIRANHA

## Laser Enucleation System

The PIRANHA Laser Enucleation System offers a comprehensive, precisely coordinated system comprising a laser resectoscope, PIRANHA scope and morcellator for treatment of any size prostate.

- Powerful turbine suction rapidly draws in tissue for morcellation
- Dynamic suction provides a clear field of view to maintain orientation during the case
- Works with any brand of laser and fibers up to 1000  $\mu\text{m}$
- No need to remove sheath when changing instruments
- Morcellation and suction controlled by one foot pedal



## [ THE FORTEC ADVANTAGE ]

- ✓ Avoid capital and maintenance costs
- ✓ Experienced, professional technician support
- ✓ A stable, professional partner
- ✓ Large inventory of surgical technologies

**Call today**

**800.963.7101**

to start ForTec Mobile Service

# PIRANHA

## Morcellation System



### Key Benefits

- High speed suction ensures maximum cutting force
- Single suction opening avoids inadvertent intake of the bladder mucosal membrane
- Oscillating cutting movement facilitates complete morcellation
- Morcellated tissue is big enough for histology
- Handle and cable are fully autoclavable

### Operation

- Easy to toggle between different operating modes with the foot switch
- 'PIRANHA mode' for suctioning and morcellation
- 'Suction mode' for suctioning coagulated blood or very small tissue chips
- Tissue is cut, not chopped
- Disposable tube sets make work efficient

